



Features

- AT-Cut Crystal
- Surface Mount FR4 based package
- Low Phase Noise
- Low G-Sensitivity
- Tight Stabilities
- Frequency Range 30 - 160MHz
- Standard Frequencies 32,768; 38,4; 44,8; 61.44; 76.8; 81.92; 92.16; 100; 102.4; 112; 122.88; 125; 134.4; 153.6; 155.52; 160MHz

Applications

- Wireless Communication
- Test & Measurement
- Harsh Environment
- Industrial
- Military

Performance Specifications

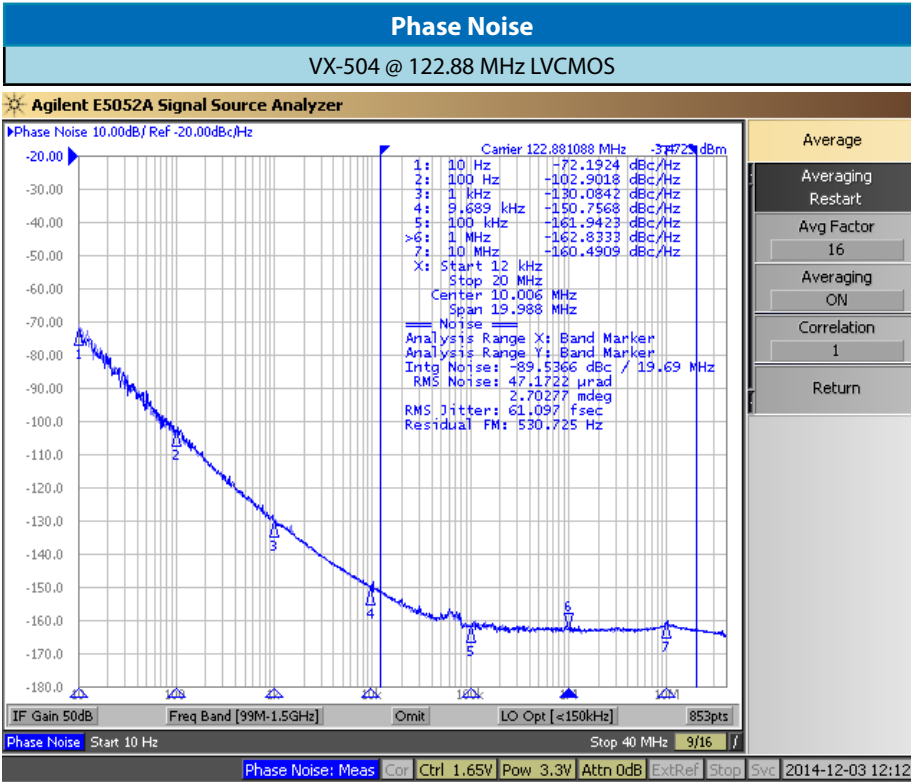
Frequency Stabilities ¹						
Parameter	Min	Typical	Max	Units	Condition ²	
vs. operating temperature range (referenced to +25°C)	-30		+30	ppm	-40 to +85°C	
Initial tolerance	-15		+15	ppm	@V _C =V _S /2 V _S ±5% Load ±10%	
vs. supply voltage change	-3		+3	ppm		
vs. load change	-2		+2	ppm		
vs. aging / 1 Year	-2		+2	ppm		
vs. aging (15 years)	-7		+7	ppm		

Performance Specifications

Supply Voltage (Vs)						
Parameter	Min	Typical	Max	Units	Condition ²	
Supply voltage (standard)	3.135	3.3	3.465	VDC		Options ⁵
Current consumption			25	mA	@ HCMOS	
Supply voltage	4.75	5	5.25	VDC		
Current consumption			35	mA	@ HCMOS	
RF Output						
Signal	HCMOS					Options ⁵
Load		15		pF		
Rise and Fall time			5	ns	@ 15 pF 10 to 90%	
Duty cycle	40		60	%	@ Vs / 2	
Frequency Tuning (EFC)						
Tuning Range	±65.0	±80	±180.0	ppm		
Linearity	10 %					
Tuning Slope	Positive					
Control Voltage Range	0 0.5	1.65 2.5	3.3 4.5	VDC VDC	with Vs = 3.3V with Vs = 5V	
Frequency Control Input Impedance	100			kΩ		
Additional Parameters						
Phase Noise		-72 -103 -130 -150 -161		dBc/Hz dBc/Hz dBc/Hz dBc/Hz dBc/Hz	10 Hz 100 Hz 1 kHz 10 kHz 100 kHz	@122MHz LVCMOS 3.3V
Jitter		0.06		ps RMS	@ 12kHz .. 20MHz	
G-Sensitivity		0.3		ppb/g	@0.06g ² /Hz	

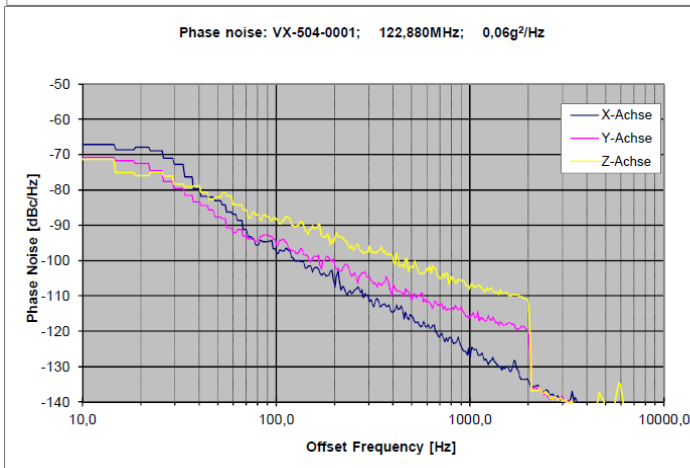
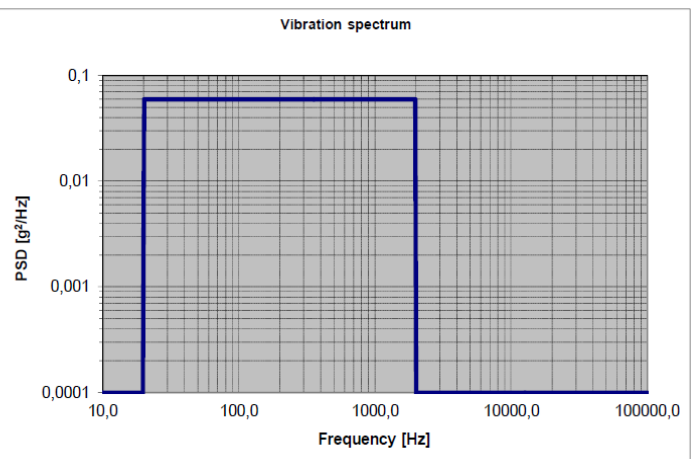
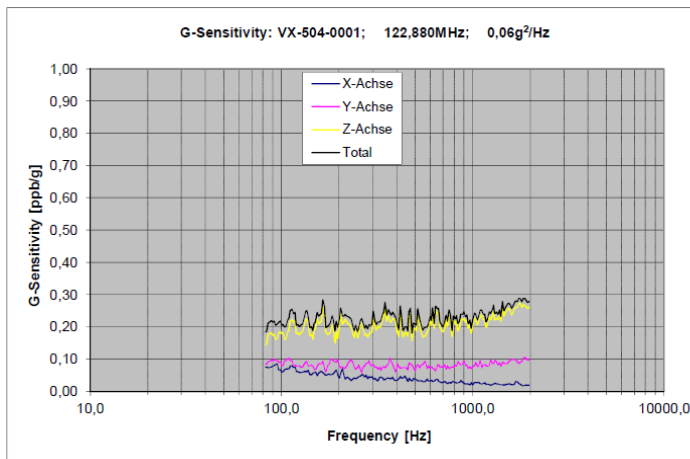
Additional Parameters						
Weight			2.0 g			
Processing & Packing	Handling & Processing Note					
Absolute Maximum Ratings						
Supply voltage (Vs)			6.0	V		
Operable Temperature Range	-40		+85	°C		
Storage Temperature Range	-40		+105	°C		

Typical Phase Noise and Jitter



G-Sensitivity

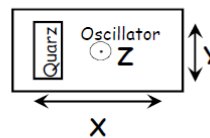
VX-504 @ 122.88 MHz LVCMOS



Calculation equation according to Vig-Tutorial

$$g\text{-sensitivity: } G = \frac{2 \cdot f_v}{A_{peak} \cdot f_0} \cdot 10^{\frac{L(f)}{20}}$$

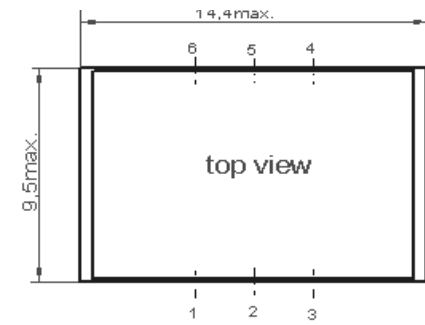
$$\text{Peak g-level: } A_{peak} = \sqrt{PSD \cdot 2}$$



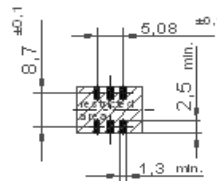
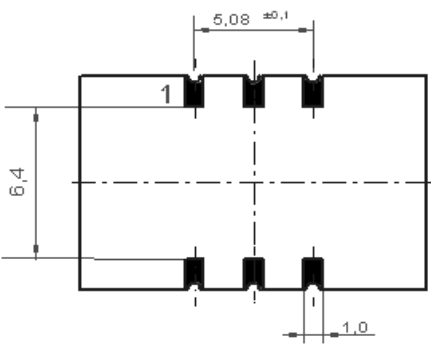
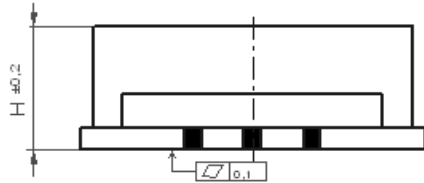
Enclosure

Package Codes

Type	Height "H"
G218C	2.8



G 218



Padvorschlag
land pattern
recommendation

Pin Connections

1	Control Voltage (Vc)
2	N.C. / Enable (Option)
3	Ground
4	RF Output
5	N.C.
6	Supply Voltage Input (Vs)

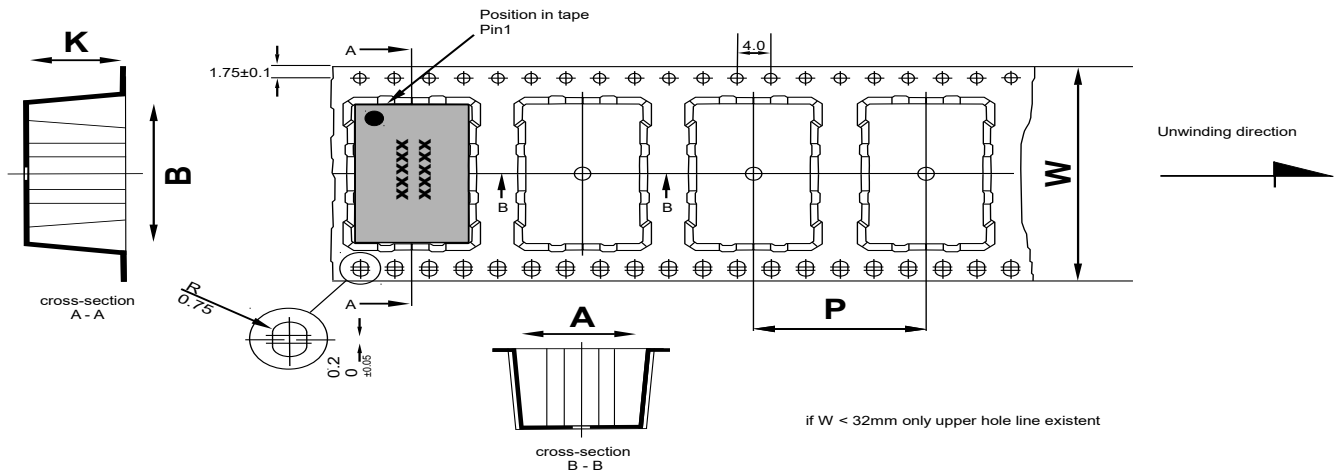
Marking

VX-504-xxxx
Frequency
● AYYWW

Enable true table (optional)

HCMOS		
Pin 2	Pin 4	Pin 5
High	Data	N.C.
Open	Data	N.C.
Low	High Tristate	N.C.

Standard Shipping Method



Dimension in mm:
 A, B and K are dependent upon component dimensions
 production tolerance complying DIN IEC 286-3

All dimensions in millimeters unless otherwise stated

Enclosure Type	Tape Width W (mm)	Quantity per meter	Quantity per reel	Dimension P
G218C	24	83.3	1700	12

Recommended Reflow Profile

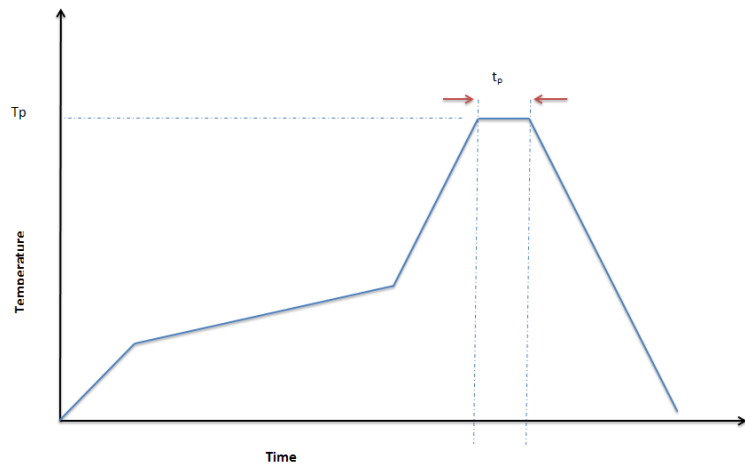
TP: max 250°C (@ solder joint, customer board level)

T_p: max: 10...30 sec

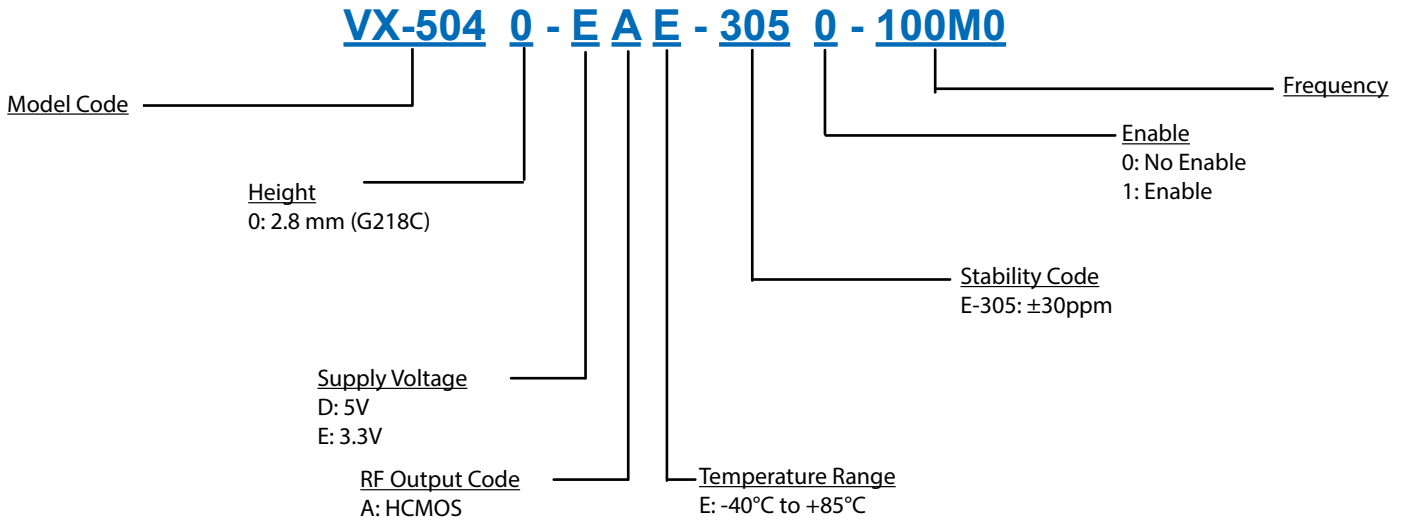
Additional Information:

This SMD oscillator has been designed for pick and place reflow soldering

SMD oscillators must be on the top side of the PCB during the reflow process.



Ordering Information



Notes:

1. Contact factory for improved stabilities or additional product options. Not all options and codes are available at all frequencies.
2. Unless other stated all values are valid after warm-up time and refer to typical conditions for supply voltage, frequency control voltage, load, temperature (25°C).
3. Phase noise degrades with increasing output frequency.
4. Subject to technical modification.
5. Contact factory for availability.

Contact Information

USA:

100 Watts Street
Mt Holly Springs, PA 17065
Tel: 1.717.486.3411
Fax: 1.717.486.5920

Europe:

Landstrasse
74924 Neckarbischofsheim
Germany
Tel: +49 (0) 7268.801.0
Fax: +49 (0) 7268.801.281



Information contained in this publication regarding device applications and the like is provided only for your convenience and may be superseded by updates. It is your responsibility to ensure that your application meets with your specifications. MICROCHIP MAKES NO REPRESENTATION OR WARRANTIES OF ANY KIND WHETHER EXPRESS OR IMPLIED, WRITTEN OR ORAL, STATUTORY OR OTHERWISE, RELATED TO THE INFORMATION INCLUDING, BUT NOT LIMITED TO ITS CONDITION, QUALITY, PERFORMANCE, MERCHANTABILITY OR FITNESS FOR PURPOSE. Microchip disclaims all liability arising from this information and its use. Use of Microchip devices in life support and/or safety applications is entirely at the buyer's risk, and the buyer agrees to defend, indemnify and hold harmless Microchip from any and all damages, claims, suits, or expenses resulting from such use. No licenses are conveyed, implicitly, or otherwise, under any Microchip intellectual property rights unless otherwise stated.

Trademarks

The Microchip and Vectron names and logos are registered trademarks of Microchip Technology Incorporated in the U.S.A. and other countries.