

Helping Customers Innovate, Improve & Grow



Features

- 4-Pin Dip
- Fast Warm-up
- Frequency Range: 80 MHz to 120 MHz
- Low g-sensitivity
- Low Phase Noise

Applications

- Base Stations
- Test Equipment
- Synthesizers
- Military Communication Equipment

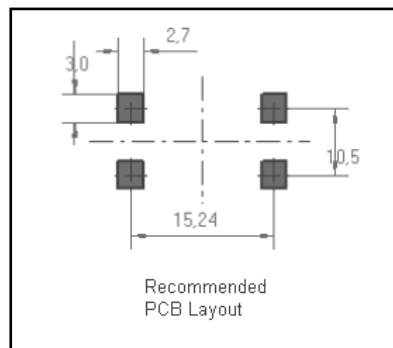
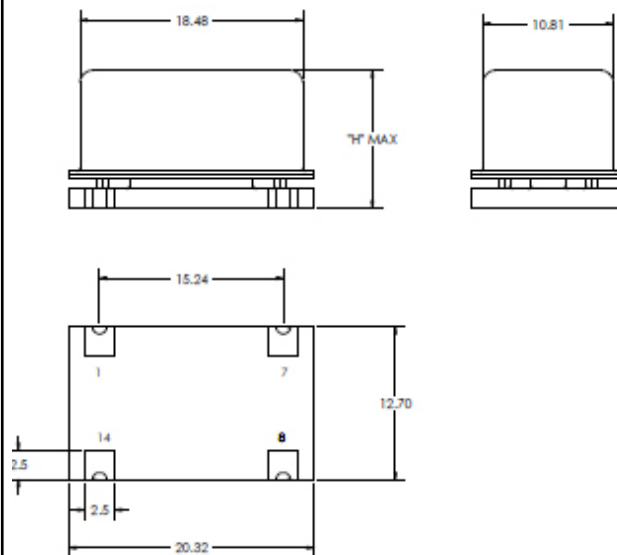
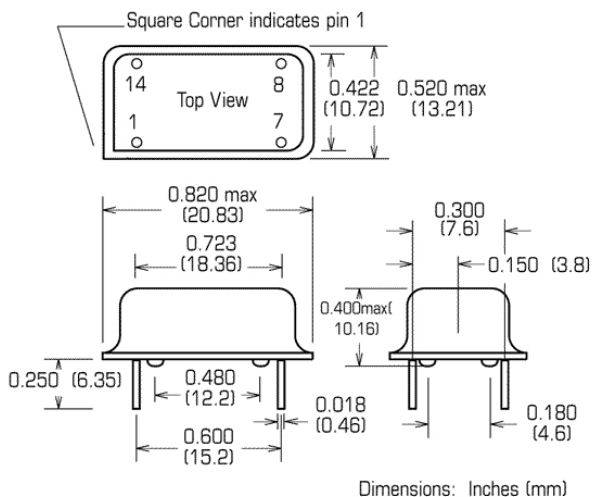
Performance Specifications

Frequency Stabilities ¹ (SC-Cut Crystal-Option)					
Parameter	Min	Typical	Max	Unit	Condition
vs. operating temperature range (referenced to +25°C)	-200		+200	ppb	-40 to +85°C
	-150		+150	ppb	-20 to +70°C
	-100		+100	ppb	-0 to +70°C
	-50		+50	ppb	-40 to +85°C (height code 0 and 3 only)
	-35		+35	ppb	-20 to +70°C (height code 0 and 3 only)
	-25		+25	ppb	-0 to +70°C (height code 0 and 3 only)
Initial tolerance vs. supply voltage change	-400		+400	ppb	at time of shipment, nominal EFC
	-50		+50	ppb	$V_S \pm 5\%$ static (CMOS outputs)
vs. load change	-25		+25	ppb	$V_S \pm 5\%$ static (sine outputs)
	-10		+10	ppb	Load $\pm 5\%$ static
vs. aging/day	-3		+3	ppb	after 30 days of operation
vs. aging/1st year	-300		+300	ppb	after 30 days of operation
Warm-up time			2	minutes	to ± 100 ppb of final frequency (1 hour reading) @ +25°C

Performance Specifications

Supply Voltage (Vs)					
Parameter	Min	Typical	Max	Unit	Condition
Supply Voltage	4.75	5.0	5.25	VDC	
	3.165	3.3	3.465	VDC	
Power Consumption			3.5 4.5 1.0	Watts Watts Watts	during warm-up (5V versions) during warm-up (3V version) steady state @ +25°C
RF Output					
Signal [Standard]	HCMOS				
Load		15		pF	
Signal Level (Vol)			0.5	VDC	with Vs=5V and 15 pF Load
Signal Level (Voh)	3.6			VDC	with Vs=5V and 15 pF Load
Signal Level (Vol)			0.3	VDC	with Vs=3.3V and 15 pF Load
Signal Level (Voh)	2.4			VDC	with Vs=3.3V and 15 pF Load
Duty Cycle	40		60	%	@ (Voh-Vol)/2
	Sinewave (5V supply, height code 0 or 3 only)				
Load		50		Ω	
Output Power @ 5V	5	8	11	dBm	50 Ω load
Harmonics			-40	dBm	
Frequency Tuning (EFC)					
Tuning Range	±1.0		±3.0	ppm	
Linearity			5	%	
Tuning Slope	Positive				
Control Voltage Range	0.0	2.0	4.0	VDC	5 V versions
	0	1.5	3.0	VDC	3.3 V versions
Additional Parameters					
Phase Noise ³			-95 -125 -145 -155 -160	dBc/Hz dBc/Hz dBc/Hz dBc/Hz dBc/Hz	10 Hz 100 Hz 1 kHz 10 kHz 100 kHz @ 100MHz
G-Sensitivity			1 0.5	ppb/g ppb/g	worst direction - standard worst direction - request a custom part
Weight			8	g	
Absolute Maximum Ratings					
Supply Voltage (Vs)			6.0	V	
Output Load			50	pF	
Operable Temperature Range	-55		+85	°C	
Environmental and Product Classification					
Shock (Endurance)	MIL-STD-202, Method 213, Condition J, 30 g 11 ms				
Sine Vibration (Endurance)	MIL-STD-202, Method 201 and 204, Condition A, except 5 g to 500 Hz, 1 sweep each axis				
Random Vibration (Endurance)	MIL-STD-202, Method 214, Condition I-D				
Humidity	MIL-STD-202, Method 103, Condition B, 100% rh				
Seal	MIL-STD-202, Method 112, Condition D				
Altitude	MIL-STD-202, Method 105, sea level to space				
Resistance to Soldering Heat	MIL-STD-202, Method 210, Condition A,B,C				
Terminal Strength	MIL-STD-202, Method 11, Condition C (5 bends at 45°, 2 lbs)				
Moisture Sensitivity level	1				
ROHS Compliant	Yes				
Storage Temperature Range	-55		+125	°C	

Outline Drawing / Enclosure



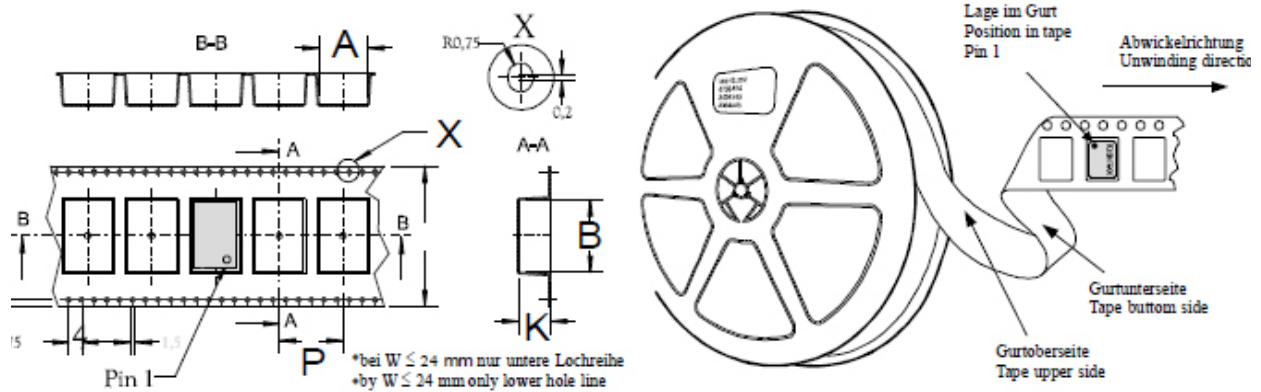
Dimensions in inches (mm)

Type A		
Code	Height "H"	Pin Length "L" Min
0	9.3	5.85
1	8.3	5.85
Pin Connections		
1	Electronic Frequency Control Input (EFC)	
7	Ground (Case)	
8	RF Output	
14	Supply Voltage Input (VS)	

Dimensions in mm

Type B		
Code	Height "H"	Pin Length "L" Min
2	10.4	NA
3	11.4	NA
Pin Connections		
1	Electronic Frequency Control Input (EFC)	
7	Ground (Case)	
8	RF Output	
14	Supply Voltage Input (VS)	

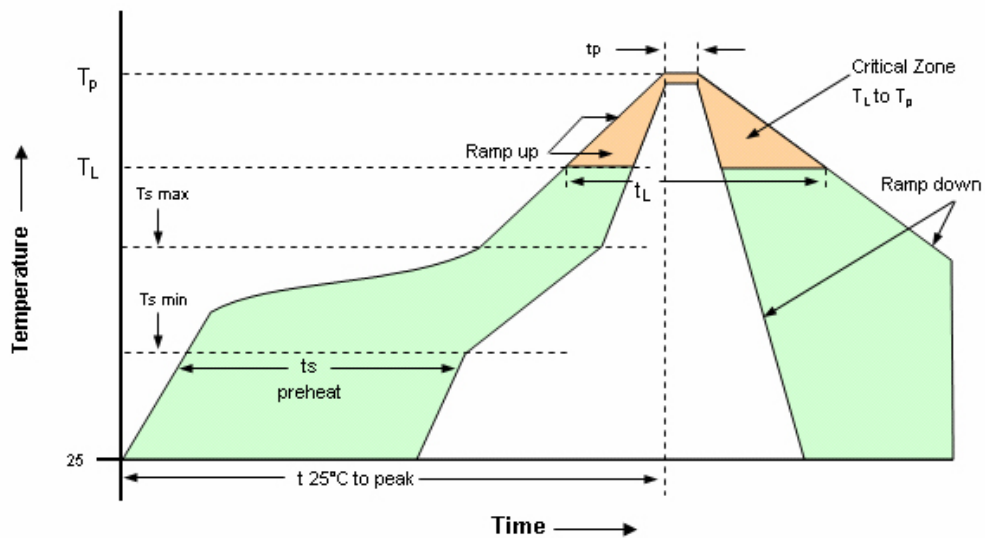
Standard Shipping Method



Enclosure Type	Tape width W [mm]	Quantity per meter	Quantity per reel	Dimension P
Type B	44	50	300	20

Recommended Reflow Profile

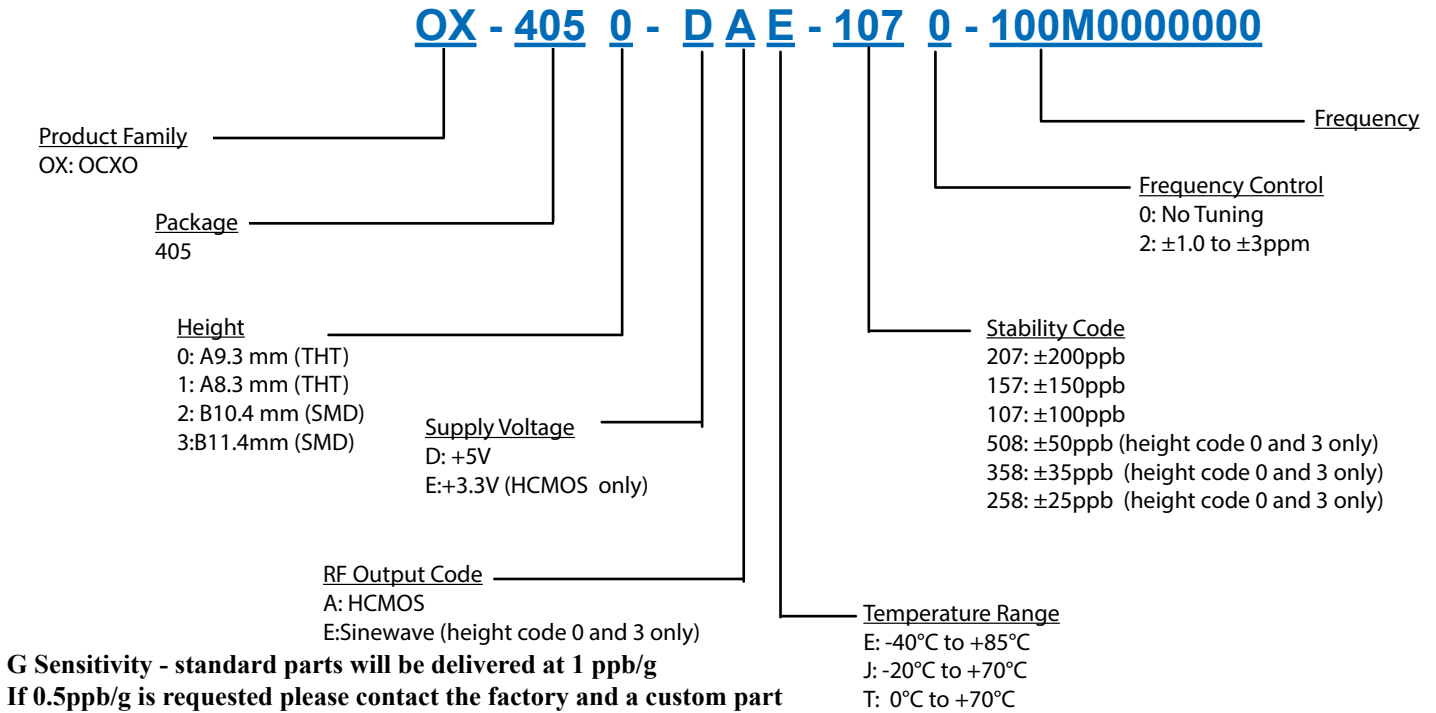
Solderprofile:



Profile Feature	Pb-Free Assembly /Sn-Pb Assembly	Profile Feature	Pb-Free Assembly /Sn-Pb Assembly
Average ramp-up rate (T_L to T_p)	3°C/second max.	Time 25°C to Peak Temperature	8 minutes max.
Preheat -Temperature Min T_{Smin} -Temperature Min T_{Smax} -Time (min to max) (t_s)	150°C 200°C 60-180 seconds	Time maintained above - Temperature (T_L) - Time (t_L)	217°C 60-150 seconds
T_{Smax} to T_L - Ramp-up Rate	3°C/second max.		
Time maintained above - Temperature (T_L) - Time (t_L)	217°C 60-150 seconds	Time within 5°C of actual Peak Temperature (t_p)	20-40 seconds
Peak Temperature (T_p)	max 260°C	Ramp-down Rate	6°C/second max.

Note: All temperatures refer to topside of the package, measured on the package body surface.

Ordering Information



Notes:

1. Contact factory for improved stabilities or additional product options. Not all options and codes are available at all frequencies.
2. Unless other stated all values are valid after warm-up time and refer to typical conditions for supply voltage, frequency control voltage, load, temperature (25°C).
3. Phase noise degrades with increasing output frequency.
4. Subject to technical modification.
5. Contact factory for availability.

Contact Information

USA:

100 Watts Street
Mt Holly Springs, PA 17065
Tel: 1.717.486.3411
Fax: 1.717.486.5920

Europe:

Landstrasse
74924 Neckarbischofsheim
Germany
Tel: +49 (0) 7268.801.0
Fax: +49 (0) 7268.801.281



Information contained in this publication regarding device applications and the like is provided only for your convenience and may be superseded by updates. It is your responsibility to ensure that your application meets with your specifications. MICROCHIP MAKES NO REPRESENTATION OR WARRANTIES OF ANY KIND WHETHER EXPRESS OR IMPLIED, WRITTEN OR ORAL, STATUTORY OR OTHERWISE, RELATED TO THE INFORMATION INCLUDING, BUT NOT LIMITED TO ITS CONDITION, QUALITY, PERFORMANCE, MERCHANTABILITY OR FITNESS FOR PURPOSE. Microchip disclaims all liability arising from this information and its use. Use of Microchip devices in life support and/or safety applications is entirely at the buyer's risk, and the buyer agrees to defend, indemnify and hold harmless Microchip from any and all damages, claims, suits, or expenses resulting from such use. No licenses are conveyed, implicitly, or otherwise, under any Microchip intellectual property rights unless otherwise stated.

Trademarks

The Microchip and Vectron names and logos are registered trademarks of Microchip Technology Incorporated in the U.S.A. and other countries.